

Features

- Input Voltage 90~305V AC
- Built in Active PFC Function
- Approved to UKCA, CE
- Safety Approved to IEC 62368-1 BS EN/EN 62368-1
- Efficiency up to 88%
- Protection: OLP, OVP, OTP SCP
- 3 Years Warranty



Ideal Power's 56YEP100-xy 100W Enclosed AC/DC Power Supply (PSU) Series is certified to UKCA, CE & IEC 62368-1/BS EN62368-1/EN 62368-1 Standards and complies with the relevant Efficiency Regulations. These are primarily used in ITE, Audio & Video Industries and customised solutions are available upon request.

Models

Model Number	DC Voltage (V)	Rated Current (A)	Rated Power (W)	Efficiency (%)	Voltage Adj. Range (V)	Ripple & Noise (mVp-p)
56YEP100-05	5	20	100	86	4.75~5.5	100
56YEP100-7.5	7.5	13.5	101.3	88		
56YEP100-12	12	8.33	100	86	11.4~13.2	100
56YEP100-13.5	13.5	7.5	101.3	88		
56YEP100-15	15	6.66	99.9	87	14.3~16.5	100
56YEP100-24	24	4.16	99.8	87	22.8~26.4	150
56YEP100-27	27	3.8	102.6	88		
56YEP100-48	48	2.08	99.8	88	45.6~52.8	250
56YEP100-60	60	1.67	100.2	88		

Input Specifications

Input Voltage	90-305VAC/127-430VDC
Frequency Range	47-63Hz
AC Current	1.1A/115VAC, 0.55A/230VAC
Inrush Current	Cold Start 30A/230VAC
Leakage Current	< 2mA/240VAC
Connection	I/P: 3 poles terminal Block

Output Specifications

Voltage Tolerance	±2.0%	All
Line Regulation	±1.0%	
Load Regulation	±1.0%	All
Set up	600ms, 30ms at full load	
Rise Time	600ms, 30ms at full load	
Hold up Time	16ms at full load	
Connection	O/P: 4 poles terminal Block	

Protection

Over Load	105%-135% Rated Output Power Protection type: Constant current limiting, recovers automatically after fault condition is removed.	
Over Voltage	5.75 ~ 6.75V	5v
	13.2 ~ 16.2V	12v
	16.5 ~ 20.25V	15v
	26.4 ~ 32.4V	24v
	52.8 ~ 64.8V	48v
	Protection type: Shut down o/p voltage, re-power on to recover.	
Over Temperature	Shut down o/p voltage, recovers automatically after temperature goes down	

Environmental Characteristics

Working Temp	-30~+70°C (Refer to "Derating Curve")	
Working Humidity	20~90% RH non-condensing	
Storage Temp., Humidity	-40~+85°C, 10~95% RH non-condensing	
Temp. Coefficient	±0.05%/°C (0~50°C)	
Vibration	10 ~ 500Hz, 2G 10min. /1cycle, period for 60min. each along X, Y,Z axes	
Over Voltage Category	III; According to BS EN/EN61558, BS EN/EN50178, BS EN/EN60664 BS EN/EN62477-1; altitude up to 2000 meters	
MTBF	1976.4K hrs min. Telcordia SR-332 (Bellcore)	

Safety & EMC

Safety Standards	TUV BS EN/EN62368-1, BS EN/EN61558-1	
Withstand Voltage	I/P-O/P:4KVAC I/P-FG:2KVAC O/P-FG:0.5KVAC	
Isolation Resistance	I/P-O/P, I/P-FG, O/P-FG:100M Ohms / 500VDC / 25 °C / 70%RH	
EMC Emission	Compliance to BS EN/EN55032 (C1SPR32) Class B, BS EN/EN61000-3-2,-3	
EMC Immunity	Compliance to BS EN/EN61000-4-2,3,4,5,6,8,11, BS EN/EN55035	

Notes:

- 1.All parameters NOT specially mentioned are measured at 230VAC input, rated load and 25°C of ambient temperature.
- 2.Ripple&noise are measured from peak to peak with band width limit of 20MHz (0.1uf and 47uf /50V parallel capacitor under DC output full load, AC nominal input 25 °C ambient temperature).
- 3.Derating may be needed under low input voltages. Please check the derating curve for more details.

4. The power supply is considered a component which will be installed into a final equipment. The final equipment must be re-confirmed that it still meets EMC directives. For guidance on how to perform these EMC tests, please refer to "EMI testing of component power supplies."
5. The ambient temperature derating of 5°C/1000m is needed for operating altitude greater than 2000m(6500ft).

Function

Remote Control CN: <0~0.8V DC Power on, 4~10V DC Power off

Dimensions & Weight

Size 179x99x30mm / 7.05x3.90x1.18in

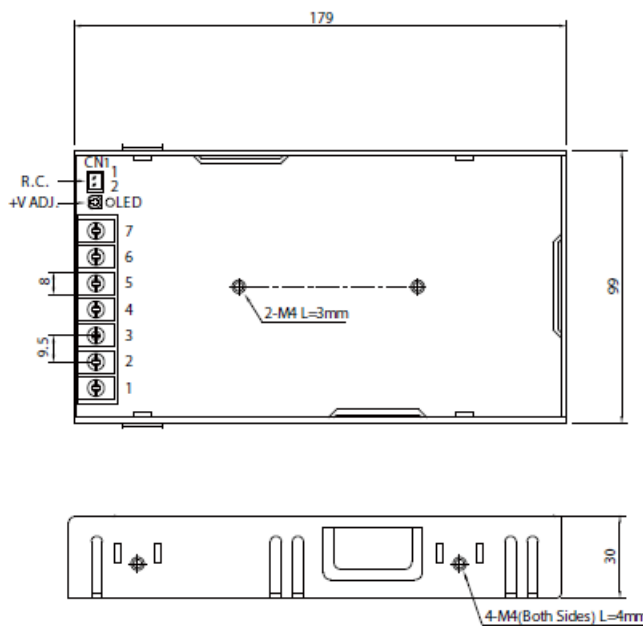
Weight 520g

Packaging

Carton Size 29x32x19.5cm/ 11.42x12.60x7.68in

Master Carton Quantities 24pcs/Carton

Dimensions and Recommended Layout



Output

No.	Description
4,5	DC OUTPUT -V
6,7	DC OUTPUT +V

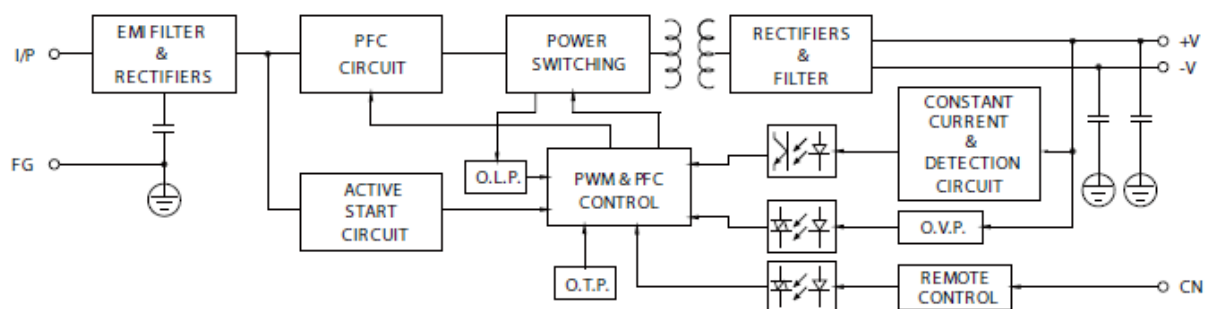
Input

No.	Description
1	AC/L
2	AC/N
3	FG \perp

Remote ON/OFF (CN): JST S2B-XH or equivalent (optional)

No.	Description	Mating Housing	Terminal
1	RC+	JST XHP or equivalent	JST SXH-001T-Po.6 or equivalent
2	RC-		

Block Diagram



Derating Curve

